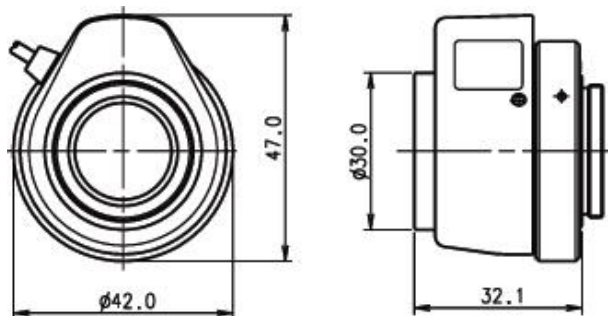


# SCV 4D

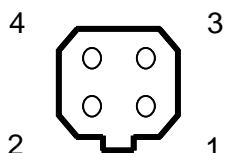
f = 4mm F1.2 ~ 360 MONOFOCAL  
For 1/3" Format Camera

Model No.		SCV4D		Effective Lens Aperturer	Front	Ø18.5mm	
Focal Length		4mm			Rear	Ø10.6mm	
Max. Aperture Ratio		1 : 1.2 ~ 360		Back Focal Length		8.45mm	
Max. Image Format		6(D) x 4.8(H) x 3.6(V)		Flange Back Length		12.5mm	
Operation	Iris	Auto(F1.2 ~ 360)		Mount		CS (1" - 32 UNF)	
	Focus	Manual		Dimensions		32.1(L)X42(W)X47(H)	
	Zoom	N/A		Weight		55g	
Object Size at 50Cm	4mm	1/3" 58.4 X 39.3Cm		1/4" 44.3 X 31.6Cm			
Coating		Multi & Single					
Angle of View	D	80°		60°			
	H	1/3" 61.1°		1/4" 46.9°			
	V	44.4°		34.6°			
Iris Coil	Drive	190					
	Control	700					
Operating Temperature		-20 ~ +50					

## Dimension



## Wiring Diagram



1	BROWN	CONTROL (-)
2	RED	CONTROL (+)
3	YELLOW	DRIVE (+)
4	ORANGE	DRIVE (-)

