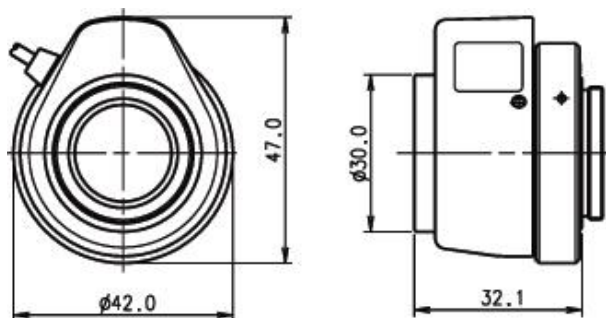


# SCV 8D

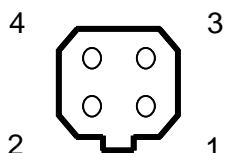
f = 8mm F1.2 ~ 360 MONOFOCAL  
For 1/3" Format Camera

Model No.		SCV8D		Effective Lens Aperturer	Front	Ø10.5mm	
Focal Length		8mm			Rear	Ø8.6mm	
Max. Aperture Ratio		1 : 1.2 ~ 360		Back Focal Length		8.55mm	
Max. Image Format		6(D) x 4.8(H) x 3.6(V)		Flange Back Length		12.5mm	
Operation	Iris	Auto(F1.2 ~ 360)		Mount		CS (1" - 32 UNF)	
	Focus	Manual		Dimensions		32.1(L)X42(W)X47(H)	
	Zoom	N/A		Weight		50g	
Object Size at 50Cm	8mm	1/3" 28.8 X 19.4Cm		1/4" 23.3 X 16.6Cm			
Coating		Single					
Angle of View	D	45°		33.8°			
	H	1/3" 34.4°		1/4" 26.4°			
	V	25.0°		19.4°			
Iris Coil	Drive	190					
	Control	700					
Operating Temperature		-20 ~ +50					

## Dimension



## Wiring Diagram



1	BROWN	CONTROL (-)
2	RED	CONTROL (+)
3	YELLOW	DRIVE (+)
4	ORANGE	DRIVE (-)

