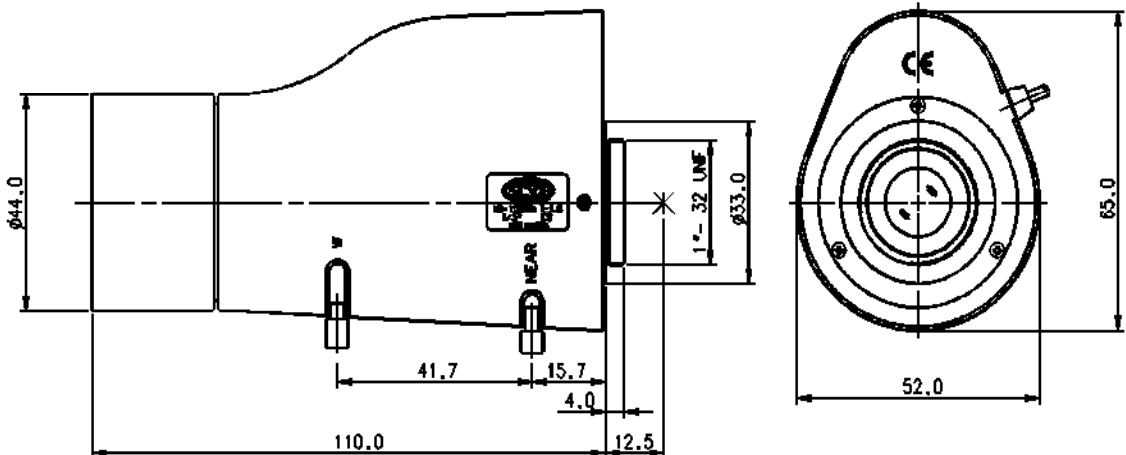


# SCV 18120D

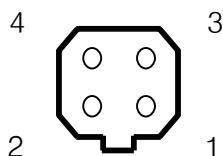
f = 18.0 ~ 120.0mm F1.6 ~ 360 VARI FOCAL  
For 1/3" Format Camera

Model No.		SCV18120D		Effective Lens Aperturer	Front	Ø30.9mm
Focal Length		18.0 ~ 120.0mm			Rear	Ø14.1mm
Max. Aperture Ratio		1 : 1.6 ~ 360		Back Focal Length		20.9 ~ 9.7
Max. Image Format		6(D) x 4.8(H) x 3.6(V)		Flange Back Length		12.5mm
Operation	Iris	Auto(F1.6 ~ 360)		Mount		CS (1"-32 UNF)
	Focus	Manual		Dimensions		110.0(L)x52.0(W)x65.0(H)
	Zoom	Manual		Weight		270g
Object Size at 1 m	18mm	1/3" 29.7 X 20.9Cm		1/4" 20.9 X 15.7Cm		
	120mm	4.1 X 3.0Cm		3.1 X 2.3Cm		
Coating		Multi & Single				
Angle of View	D	19.5~2.8°		14.6~2.1°		
	H	1/3"	15.6~2.3°	1/4"	11.7~1.7°	
	V		11.8~1.7°		8.8~1.3°	
Iris Coil	Drive	490Ω				
	Control	1150Ω				
Operating Temperature		-20°C ~ +50°C				

## Dimension



## Wiring Diagram



1	BROWN	CONTROL (-)
2	RED	CONTROL (+)
3	YELLOW	DRIVE (+)
4	ORANGE	DRIVE (-)

