

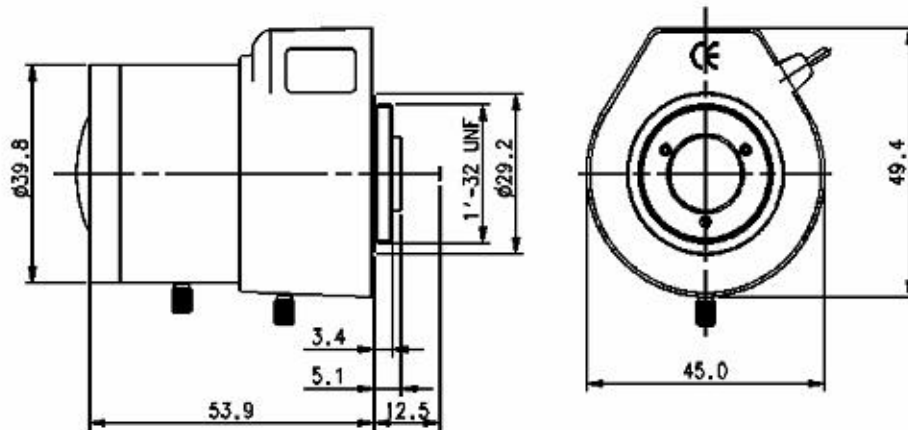
# SCV2812D AS IR

f = 2.8 ~ 12mm F1.4 ~ 360 VARIFOCAL (INFRARED)

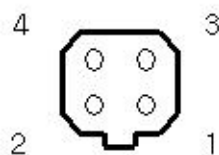
For 1/3" Format Camera

Model No.		SCV2812D AS IR		Effective Lens Aperturer	Front	Ø26.6mm
Focal Length		2.8 ~ 12mm			Rear	Ø7.7mm
Max. Aperture Ratio		1 : 1.4 ~ 360		Back Focal Length (In Air)		7.7 ~ 17.9mm
Max. Image Format		4.8 x 3.6		Flange Back Length		12.5mm
Operation	Iris	Auto(F1.4 ~ 360)		Mount		CS (1"-32 UNF)
	Focus	Manual		Dimensions (L x W x H)		53.9 X 45.0 X 49.4
	Zoom	Manual		Weight		76g
Object Size at 25cm (H X V)	2.8mm	1/3" 89.6 X 36.8cm		1/4" 67.2 X 27.6cm		
	12mm	10.6 X 8.0cm		8.0 X 6.0cm		
Coating		Multi & Single				
Angle of View	D	1/3"	121.7°~30.0°	1/4"	91.3°~22.5°	
	H		97.6°~24.1°		73.2°~18.1°	
	V		72.6°~18.8°		54.4°~13.5°	
Iris Coil	Drive	190Ω		Operating Voltage	Open	4.0V
	Control	700Ω			Close	0.5V
Operating Temperature		-10°C ~ +50°C				

## Dimension



## Wiring Diagram



Unit : mm

1	RED	CONTROL (-)
2	BLACK	CONTROL (+)
3	WHITE	DRIVE (+)
4	GREEN	DRIVE (-)

