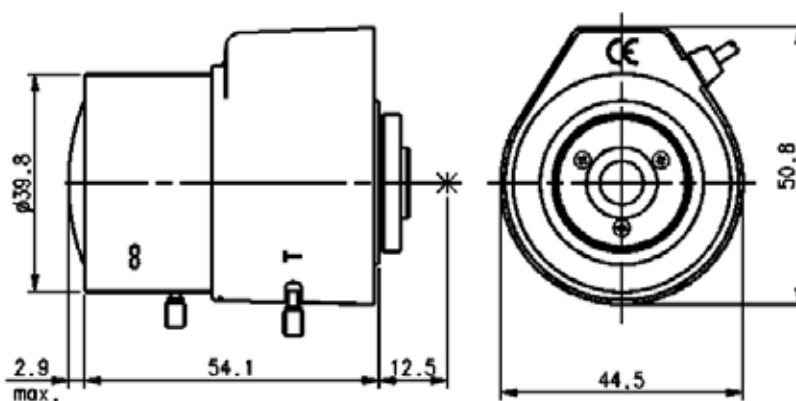


# SCV 2982D

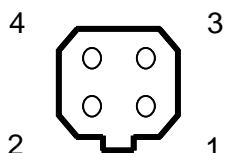
f = 2.9 ~ 8.2mm F1.2 ~ 360 VARI FOCAL  
For 1/3" Format Camera

Model No.		SCV2982D		Effective Lens Aperturer	Front	Ø29.8mm
Focal Length		2.9 ~ 8.2mm			Rear	Ø8.5mm
Max. Aperture Ratio		1 : 1.2 ~ 360		Back Focal Length		7.3 ~ 13.9mm
Max. Image Format		6(D) x 4.8(H) x 3.6(V)		Flange Back Length		12.5mm
Operation	Iris	Auto(F1.2-360)		Mount		CS (1" -32 UNF)
	Focus	Manual		Dimensions		54.1(L)X44.5(W)X50.8(H)
	Zoom	Manual		Weight		80g
Object Size at 50Cm	2.9mm	1/3"	83.0 X 55.8Cm	1/4"	58.9 X 42.0Cm	
	8.2mm		32.3 X 23.9Cm		23.7 X 17.8Cm	
Coating		Multi & Single				
Angle of View	D	100 ~ 44°		75 ~ 33°		
	H	1/3"	76.4~35.1°	1/4"	58.6~26.4°	
	V		55.5~26.3°		43.2~19.7°	
Iris Coil	Drive	190				
	Control	850				
Operating Temperature		-20 ~ +50				

## Dimension



## Wiring Diagram



1	BROWN	CONTROL (-)
2	RED	CONTROL (+)
3	YELLOW	DRIVE (+)
4	ORANGE	DRIVE (-)

