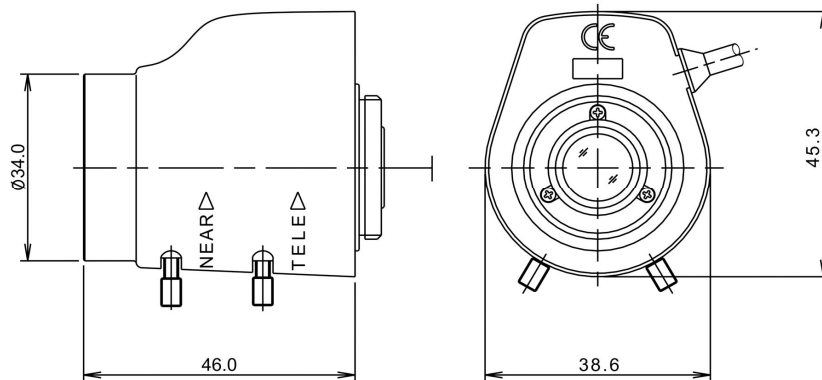


SCV35810AS IR

f = 3.5 ~8mm F1.0 ~ 360 VARIFOCAL (INFRARED) (Extra low Dispersion)
For 1/3" Format Camera

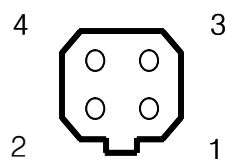
Model No.		SCV35810AS IR		Effective Lens Aperture	Front	Ø14.2mm	
Focal Length		3.5~ 8mm		Effective Lens Aperture	Rear	Ø11.0mm	
Max. Aperture Ratio		1 : 1.0 ~ 360		Back Focal Length		8.7 ~ 14.7 mm	
Max. Image Format (H X V)		4.8 X 3.6		Flange Back Length		12.5mm	
Operation	Iris	Auto(F1.0-360)		Mount		CS (1"-32 UNF)	
	Focus	Manual		Dimensions (L X W X H)		46.0 X 38.6 X 45.3	
	Zoom	Manual		Weight		54g	
Object Size at 50cm (H X V)	3.5mm	1/3" 87.2 X 58.2cm		1/4" 58.2 X 40.9cm			
	8mm	32.1 X 23.6cm		23.6 X 17.5cm			
Angle of View	D	1/3"	111.2°~44.7°	1/4"	77.4°~33.3°		
	H		83.5°~35.6°		60.4°~26.6°		
	V		60.4°~26.6°		44.5°~19.9°		
Iris Coil	Drive	190Ω		Operating Voltage	Open	4.0V	
	Control	700Ω			Close	0.5V	
Operating Temperature		-10°C ~ +50°C					

Dimension



Unit : mm

Wiring Diagram



1	RED	CONTROL (-)
2	BLACK	CONTROL (+)
3	WHITE	DRIVE (+)
4	GREEN	DRIVE (-)

