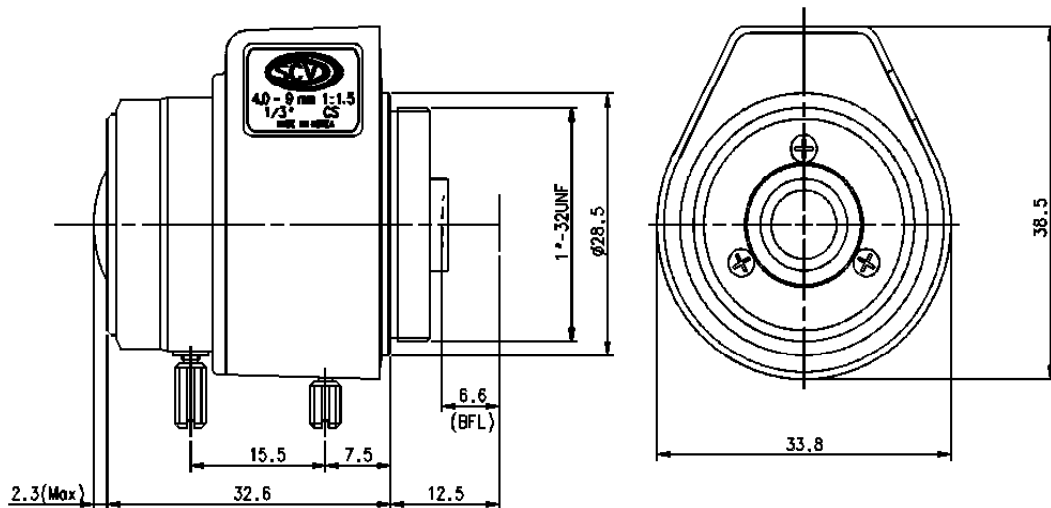


SCV490

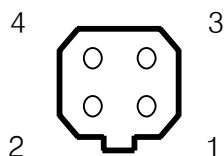
f = 4.0 ~ 9.0mm F1.5 ~ 360 VARI FOCAL
For 1/3" Format Board Camera

Model No.		SCV490		Effective Lens Aperturer	Front	Ø15.0mm
Focal Length		4.0 ~ 9mm			Rear	Ø7.5mm
Max. Aperture Ratio		1 : 1.5 ~ 360		Back Focal Length		6.6 ~ 10.8mm
Max. Image Format		6(D) x 4.8(H) x 3.6(V)		Flange Back Length		12.5mm
Operation	Iris	Auto(F1.5 ~ 360)		Mount		CS
	Focus	Manual		Dimensions		φ33.8mm×38.5mm×34.9mm
	Zoom	Manual		Weight		27g
Object Size at 50Cm	4.0mm	1/3" 67.5 X 46.8Cm		1/4" 46.8 X 33.8Cm		
	9.0mm	28.8 X 21.3Cm		21.3 X 15.8Cm		
Coating		Single				
Angle of View	D	1/3"	86.2~40.2°	1/4"	63.5~30.1°	
	H		68.0~32.1°		50.2~24.1°	
	V		50.2~24.1°		37.3~18.0°	
Iris Coil	Drive	190Ω				
	Control	370Ω				
Operating Temperature		-10°C ~ +50°C				

Dimension



Wiring Diagram



1	BROWN	CONTROL (-)
2	RED	CONTROL (+)
3	ORANGE	DRIVE (-)
4	YELLOW	DRIVE (+)

