

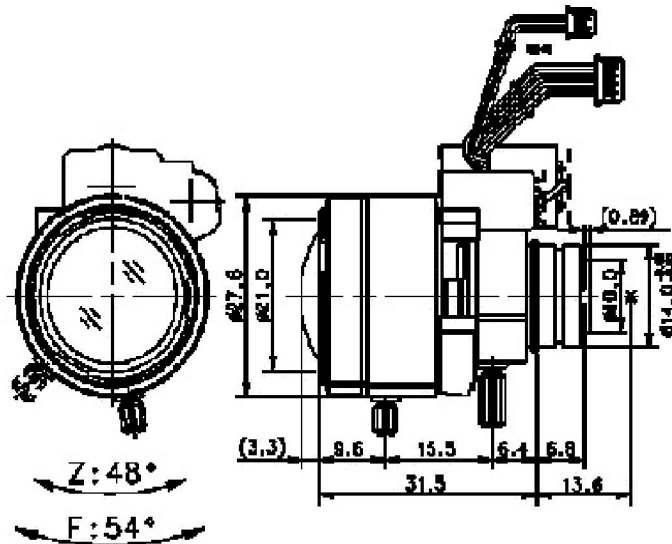
SCVD266B DN

f = 2.6 ~ 6mm F1.4 ~ 360 VARIFOCAL (IR CUT FILTER)

For 1/3" Format Board Camera

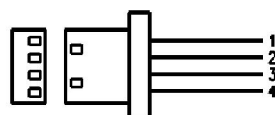
Model No.	SCVD266B DN		Effective Lens Aperture	Front	Ø18.5mm
Focal Length	2.6 ~ 6mm			Rear	Ø7.5mm
Max. Aperture Ratio	1 : 1.4 ~ 360		Back Focal Length	6.0 ~ 10.3mm	
Max. Image Format (H X V)	4.8 X 3.6		Flange Back Length	-	
Operation	Iris	Auto(F1.4 ~ 360)	Mount	BAYONET(Ø14)	
	Focus	Manual	Dimensions (L X W)	41.6 X Ø27.6	
	Zoom	Manual	Weight	25g	
Object Size at 50cm (H X V)	2.6mm	1/3" 118.8 X 77.1cm	1/4" 77.1 X 53.8cm		
	6mm	44.6 X 32.7cm	32.7 X 24.2cm		
Angle of View	D	1/3"	123.2°~59.9°	1/4"	93.8°~45.1°
	H		99.8°~48.1°		75.3°~36.2°
	V		75.3°~36.2°		56.6°~27.2°
Iris Coil	Drive	190Ω	IR Cut Filter	IN -> OUT	+ 3.5V
	Control	465Ω		OUT -> IN	- 3.5V
Operating Temperature	-10℃ ~ +50℃				

Dimension

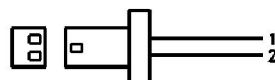


Unit : mm

Wiring Diagram



1	RED	CONTROL (+)
2	BROWN	CONTROL (-)
3	YELLOW	DRIVE (+)
4	ORANGE	DRIVE (-)



1	YELLOW	IR FILTER OUT (+)
		IR FILTER IN (-)
2	BROWN	GROUND

