

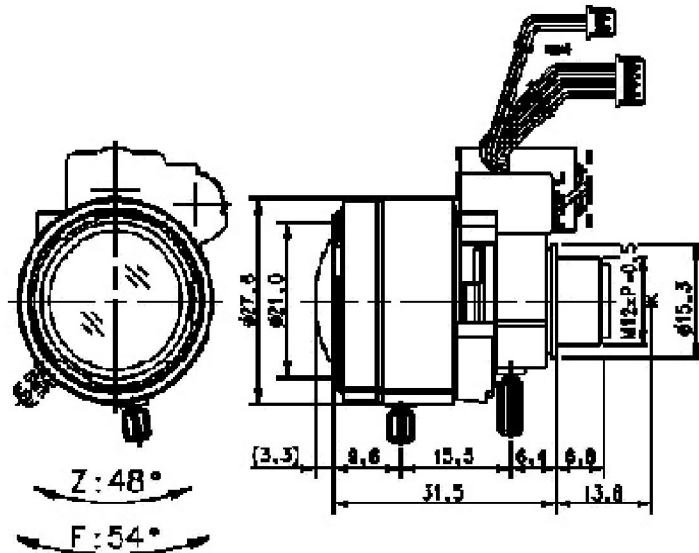
# SCVD266S DN (M12)

f = 2.6 ~ 6mm F1.4 ~ 360 VARIFOCAL (IR CUT FILTER)

For 1/3" Format Board Camera

Model No.		SCVD266S DN		Effective Lens Aperture	Front	Ø18.5mm	
Focal Length		2.6 ~ 6mm			Rear	Ø7.5mm	
Max. Aperture Ratio		1 : 1.4 ~ 360		Back Focal Length		6.0 ~ 10.3mm	
Max. Image Format (H X V)		4.8 X 3.6		Flange Back Length		-	
Operation	Iris	Auto(F1.4 ~ 360)		Mount		SCREW (M12)	
	Focus	Manual		Dimensions (L X W)		41.6 X Ø27.6	
	Zoom	Manual		Weight		25g	
Object Size at 50cm (H X V)	2.6mm	1/3" 118.8 X 77.1cm		1/4" 77.1 X 53.8cm			
	6mm	44.6 X 32.7cm		32.7 X 24.2cm			
Angle of View	D	1/3"	123.2°~59.9°	1/4"	93.8°~45.1°		
	H		99.8°~48.1°		75.3°~36.2°		
	V		75.3°~36.2°		56.6°~27.2°		
Iris Coil	Drive	190Ω		IR Cut Filter	IN -> OUT		+ 3.5V
	Control	465Ω			OUT -> IN		- 3.5V
Operating Temperature		-10°C ~ +50°C					

## Dimension



Unit : mm

## Wiring Diagram

