

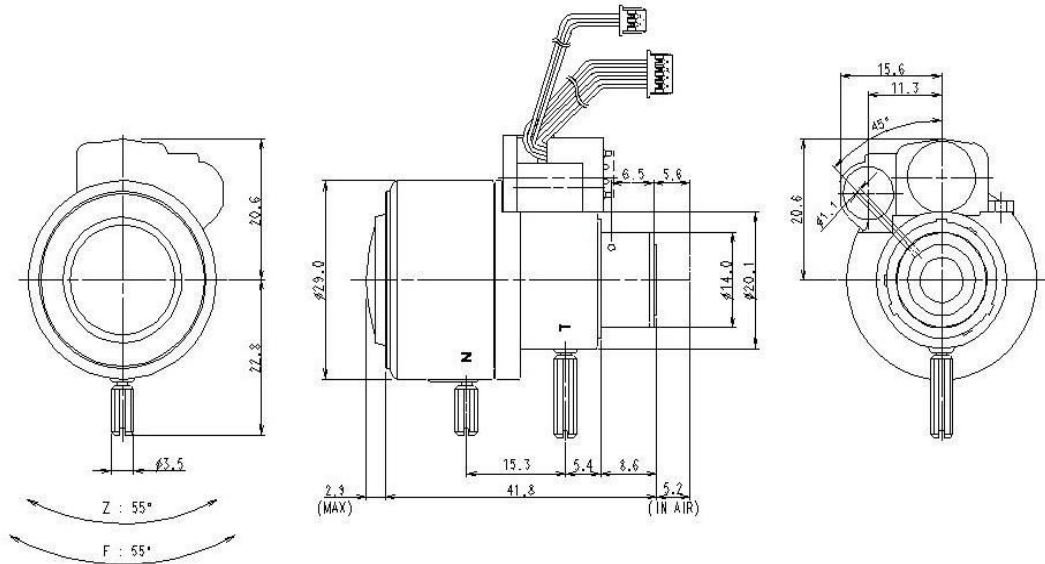
SCVD281012AS **DN** - AD

f = 2.8 ~ 10.0mm F1.2 ~ 360 VARIFOCAL (INFRARED)

For 1/3" Format Board Camera

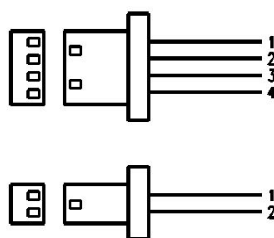
Model No.		SCVD281012AS DN - AD		Effective Lens Aperture		Front		Ø17.5mm	
Focal Length		2.8 ~ 10.0mm		Rear		Ø8.6mm			
Max. Aperture Ratio		1 : 1.2 ~ 360		Back Focal Length		5.7 ~ 13.7mm			
Max. Image Format (H X V)		4.8 X 3.6		Flange Back Length		-			
Operation		Iris		Auto(F1.2 ~ 360)		Mount		BAYONET(Ø14)	
		Focus		Manual		Dimensions (L X W)		44.7 X Ø29.0	
		Zoom		Manual		Weight		28g	
Object Size at 50cm (H X V)		2.8mm		1/3" 120.9 X 74.6cm		1/4" 74.8 X 51.4cm			
		10.0mm		25.4 X 18.9cm		18.9 X 14.1cm			
Angle of View		D		131.6°~35.6°		93.9°~26.7°			
		H		100.8°~28.5°		73.6°~21.4°			
		V		73.5°~21.4°		54.4°~16.0°			
Iris Coil		Drive		190Ω		Operating Voltage		Open	
		Control		465Ω		Close		3.5V	
						IR Cut Filter		IN -> OUT	
								OUT -> IN	
								+ 4.0V	
								- 4.0V	
Operating Temperature		-10°C ~ +50°C		CONNECT					

Dimension



Unit : mm

Wiring Diagram



1	RED	CONTROL (+)
2	BROWN	CONTROL (-)
3	YELLOW	DRIVE (+)
4	ORANGE	DRIVE (-)

1	YELLOW	IR FILTER OUT (+)
2	BROWN	IR FILTER IN (-)
		GROUND



SamYang Optics R&D Center
Copyright © 2008-0