

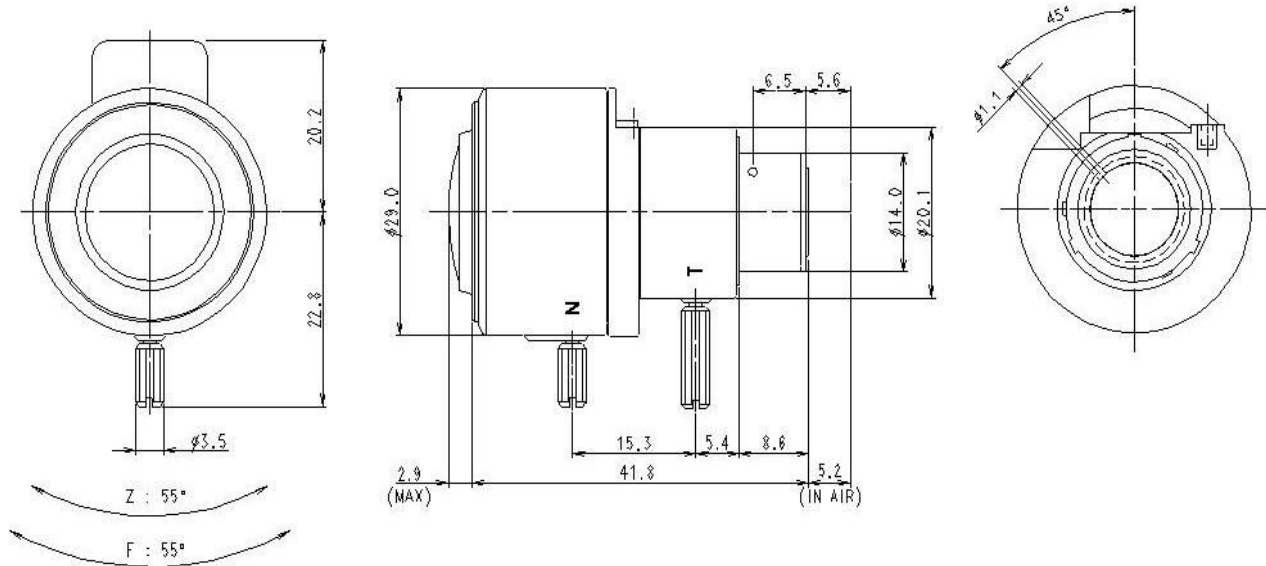
SCVD281012F AS IR - AD

f = 2.8 ~ 10.0mm F1.7 VARIFOCAL (INFRARED)

For 1/3" Format Board Camera

Model No.		SCVD281012F AS IR - AD		Effective Lens Aperture	Front	Ø17.5mm	
Focal Length		2.8 ~ 10.0mm			Rear	Ø8.6mm	
Max. Aperture Ratio		1:1.7		Back Focal Length		5.7 ~ 13.7mm	
Max. Image Format (H X V)		4.8 X 3.6		Flange Back Length		-	
Operation	Iris	FIXED(F1.7)		Mount		BAYONET(Ø14)	
	Focus	Manual		Dimensions (L X W)		44.7 X Ø29.0	
	Zoom	Manual		Weight		23g	
Object Size at 50cm (H X V)	2.8mm	1/3" 120.9 X 74.6cm		1/4" 74.8 X 51.4cm			
	10.0mm	25.4 X 18.9cm		18.9 X 14.1cm			
Angle of View	D	1/3"	131.6°~35.6°	1/4"	93.9°~26.7°		
	H		100.8°~28.5°		73.6°~21.4°		
	V		73.5°~21.4°		54.4°~16.0°		
Iris Coil	Drive	-		Operating Voltage	Open	-	
	Control	-			Close	-	
Operating Temperature		-10°C ~ +50°C		CONNECT	-		

Dimension



Unit : mm



SamYang Optics R&D Center
Copyright © 2008-0