

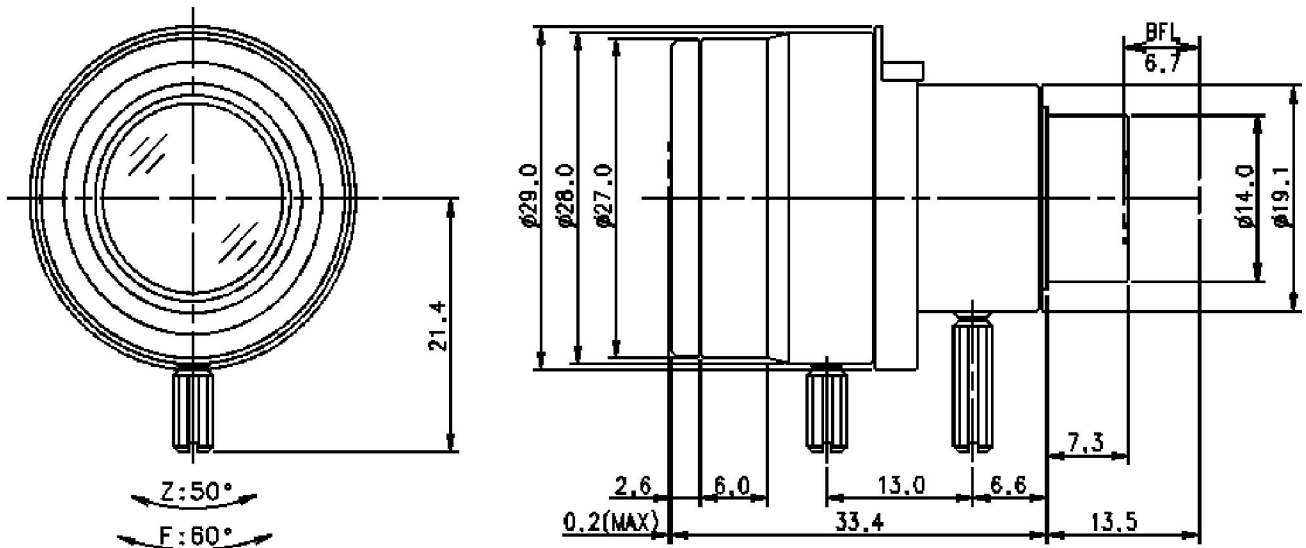
# SCVD3312F AS IR

f = 3.3 ~ 12.0mm F1.7 VARIFOCAL (INFRARED)

For 1/3" Format Board Camera

Model No.		SCVD3312F AS IR		Effective Lens Aperture	Front	Ø16.0mm	
Focal Length		3.3 ~ 12.0mm			Rear	Ø6.8mm	
Max. Aperture Ratio		1:1.7		Back Focal Length		6.7 ~ 14.5mm	
Max. Image Format (H X V)		4.8 X 3.6		Flange Back Length		-	
Operation	Iris	FIXED(F1.7)		Mount		BAYONET(Ø14)	
	Focus	Manual		Dimensions (L X W)		40.9 X Ø28.0	
	Zoom	Manual		Weight		17g	
Object Size at 50cm (H X V)	3.5mm	1/3" 93.4 X 60.4cm		1/4" 60.4 X 42.4cm			
	12.0mm	21.3 X 15.8cm		15.8 X 11.7cm			
Angle of View	D	1/3"	104.2°~29.8°	1/4"	74.6°~22.4°		
	H		80.2°~24.0°		58.6°~18.0°		
	V		58.6°~18.0°		43.4°~13.4°		
Iris Coil	Drive	-		Operating Voltage	Open	-	
	Control	-			Close	-	
Operating Temperature		-10°C ~ +50°C		CONNECT	Molex 51021-0400		

## Dimension



Unit : mm

