

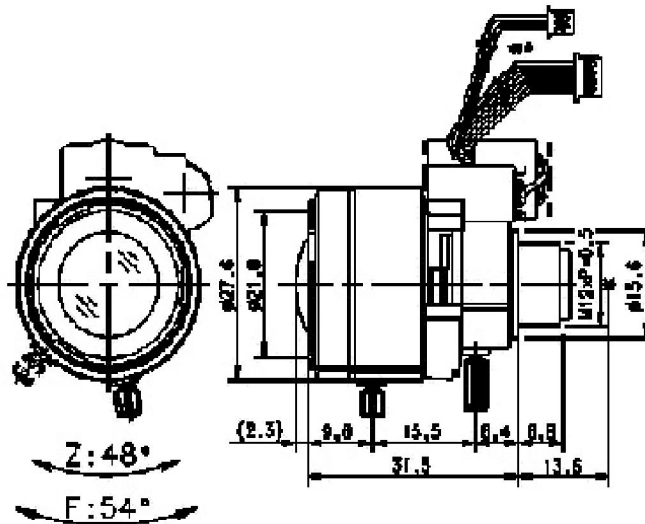
# SCVD490S **DN** (M12)

f = 4.0 ~ 9mm F1.5 ~ 360 VARIFOCAL (**IR CUT FILTER**)

For 1/3" Format Board Camera

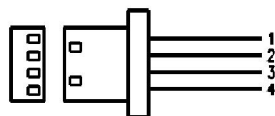
Model No.	SCVD490S <b>DN</b>		Effective	Front	Ø15.0mm	
Focal Length	4.0 ~ 9mm		Lens Aperture	Rear	Ø7.5mm	
Max. Aperture Ratio	1 : 1.5 ~ 360		Back Focal Length		6.6 ~ 10.8mm	
Max. Image Format (H X V)	4.8 X 3.6		Flange Back Length		-	
Operation	Iris	Auto(F1.5 ~ 360)	Mount		SCREW(M12)	
	Focus	Manual	Dimensions (L X W)		40.6 X Ø27.6	
	Zoom	Manual	Weight		25g	
Object Size at 50cm (H X V)	4mm	1/3" 67.5 X 46.8cm	1/4" 46.8 X 33.8cm			
	9mm	28.8 X 21.3cm	21.3 X 15.8cm			
Angle of View	D	1/3"	86.2°~40.2°	1/4"	63.5°~30.1°	
	H		68.0°~32.1°		50.2°~24.1°	
	V		50.2°~24.1°		37.3°~18.0°	
Iris Coil	Drive	190Ω	IR Cut Filter	IN -> OUT		+ 3.5V
	Control	465Ω		OUT -> IN		- 3.5V
Operating Temperature	-10°C ~ +50°C					

## Dimension

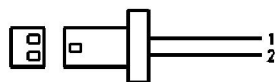


Unit : mm

## Wiring Diagram



1	RED	CONTROL (+)
2	BROWN	CONTROL (-)
3	YELLOW	DRIVE (+)
4	ORANGE	DRIVE (-)



1	YELLOW	IR FILTER OUT (+)
		IR FILTER IN (-)
2	BROWN	GROUND

