

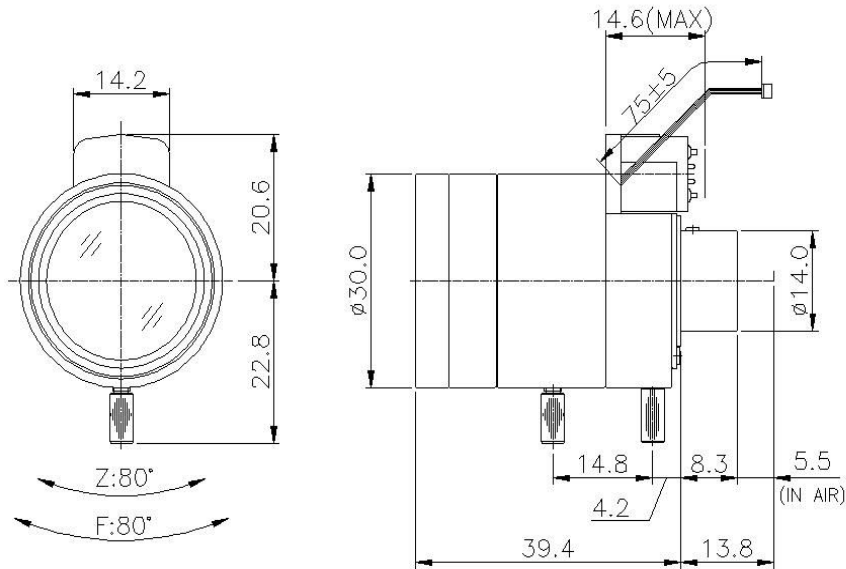
SCVD650AS IR

f = 6.0 ~ 50.0mm F1.6 ~ 360 VARIFOCAL (INFRARED)

For 1/3" Format Board Camera ED Glass employed

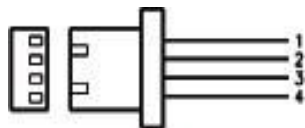
Model No.		SCVD650AS IR		Effective Lens Aperture		Front		Ø21.9mm	
Focal Length		6.0 ~ 50.0mm		Rear		Ø7.0mm			
Max. Aperture Ratio		1 : 1.6 ~ 360		Back Focal Length		5.7 ~ 9.2mm			
Max. Image Format (H X V)		4.8 X 3.6		Flange Back Length		-			
Operation	Iris	Auto(F1.6 ~ 360)		Mount		BAYONET(Ø14)			
	Focus	Manual		Dimensions (L X W)		47.7 X Ø30.0			
	Zoom	Manual		Weight		40.2g			
Object Size at 50cm (H X V)	6.0mm	1/3"	39.8 X 29.1cm	1/4"	29.1 X 21.5cm				
	50.0mm		5.1 X 3.9cm		3.9 X 2.9cm				
Angle of View	D	1/3"	54.3°~7.1°	1/4"	40.6°~5.5°				
	H		43.4°~5.8°		32.4°~4.4°				
	V		32.4°~4.4°		24.2°~3.4°				
Iris Coil	Drive	190Ω		Operating Voltage	Open	3.5V			
	Control	850Ω			Close	0.5V			
Operating Temperature		-10℃ ~ +50℃		CONNECT					

Dimension



Unit : mm

Wiring Diagram



1	RED	CONTROL (+)
2	BROWN	CONTROL (-)
3	YELLOW	DRIVE (+)
4	ORANGE	DRIVE (-)



SamYang Optics R&D Center
Copyright © 2008-1