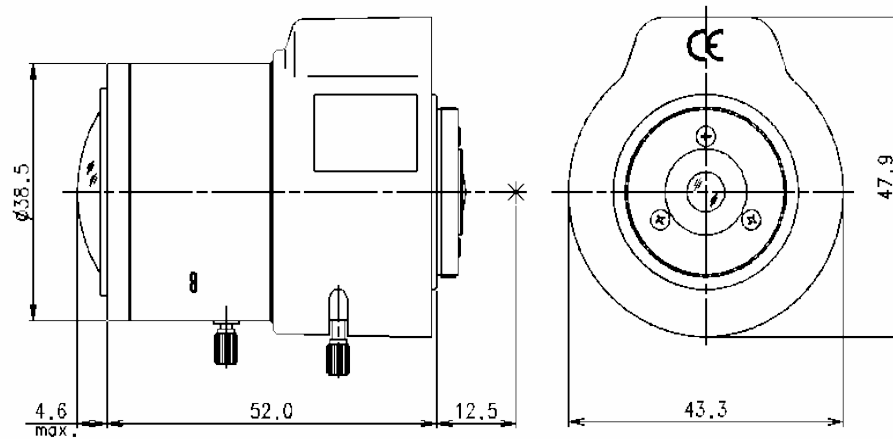


SCVM2882D IR

f = 2.8~8.2mm F1.4 ~ 360 VARI FOCAL (MEGA-PIXEL) (INFRARED)
For 1/3" Format Camera

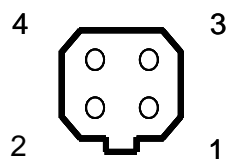
Model No.		SCVM2882D IR		Effective	Front	Ø26.0	
Focal Length		2.8 ~ 8.2mm		Lens Aperture	Rear	Ø8.6mm	
Max. Aperture Ratio		1 : 1.4 ~ 360		Back Focal Length		7.97 ~ 14.12mm	
Max. Image Format (H X V)		4.8 X 3.6		Flange Back Length		12.5mm	
Operation	Iris	Auto(F1.4 ~ 360)		Mount		CS (1"-32 UNF)	
	Focus	Manual		Dimensions (L X W X H)		56.6 X 43.3 X 47.9	
	Zoom	Manual		Weight		g	
Object Size at 50cm (H X V)	2.8mm	1/3" 107.6 X 71.3cm		1/4" 71.3 X 50.2cm			
		30.6 X 22.8cm		22.8 X 17.0cm			
Angle of View	D	116.5°~42.4°		88.4°~32.0°			
	H	1/3"	94.2°~34.1°	1/4"	71.0°~25.6°		
	V	71.0°~25.6°		53.3°~19.3°			
Iris Coil	Drive	190		Operating Voltage	Open	4.0V	
	Control	855			Close	0.5V	
Operating Temperature		-20 ~ +50					

Dimension



Unit : mm

Wiring Diagram



1	RED	CONTROL (-)
2	BLACK	CONTROL (+)
3	WHITE	DRIVE (+)
4	GREEN	DRIVE (-)