

# SCVP2985AS

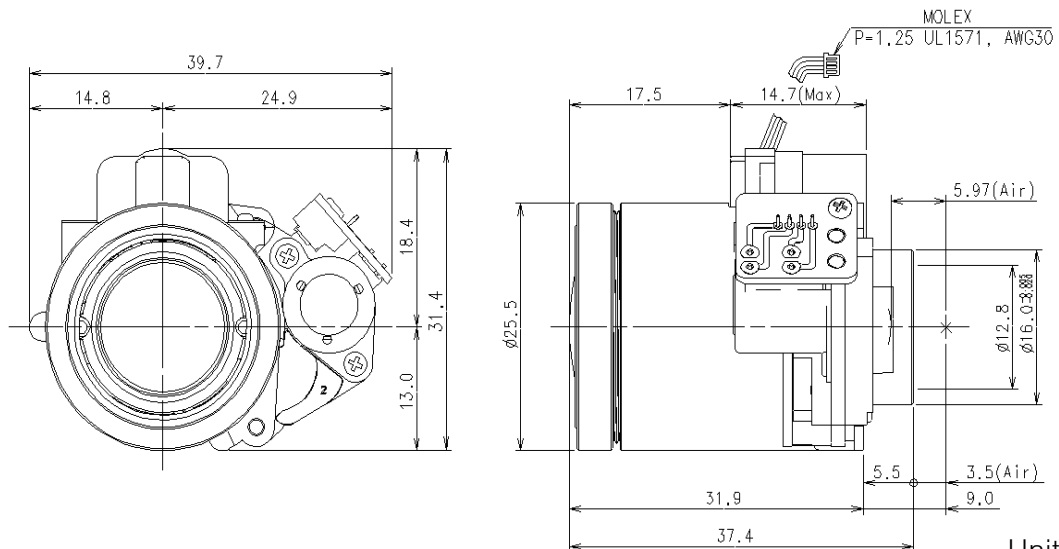
## (PAN FOCUS)

**f = 2.9 ~ 8.5mm F1.9 ~ 360 PAN FOCUS**

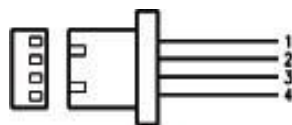
**For 1/3" Format Camera**

Model No.		SCVP2985AS		Effective Lens Aperturer	Front	Ø14.0mm	
Focal Length		2.9 ~ 8.5mm			Rear	Ø6.2mm	
Max. Aperture Ratio		1 : 1.9 ~ 360		Back Focal Length (In Air)		5.97 ~ 11.4mm	
Max. Image Format		4.8 X 3.6		Flange Back Length		9.0mm	
Operation	Iris	Auto(F1.9 ~ 360)		Mount		Ø16.0mm	
	Focus	Manual		Dimensions (L X W X H)		37.4 X 39.7 X 31.4	
	Zoom	Motorized		Weight		26g	
Object Size at 25cm (H X V)	2.9mm	1/3"	55.0 X 35.3cm	1/4"	35.3 X 24.6cm		
	8.5mm		15.0 X 11.1cm		11.1 X 8.3cm		
Coating		Multi & Single					
Angle of View	D	1/3"	121.4°~41.5°	1/4"	89.1°~31.2°		
	H		95.5°~33.3°		70.5°~25.0°		
	V		70.5°~25.0°		52.4°~18.8°		
Iris Coil	Drive	190Ω		Operating Voltage	Open	3.5V	
	Control	370Ω			Close	0.5V	
Operating Temperature		-10℃ ~ +50℃					

### Dimension



### Wiring Diagram



Pin No.	Color	Function
1	RED	CONTROL (+)
2	BROWN	CONTROL (-)
3	YELLOW	DRIVE (+)
4	ORANGE	DRIVE (-)

