

SCVZ2810AS IR

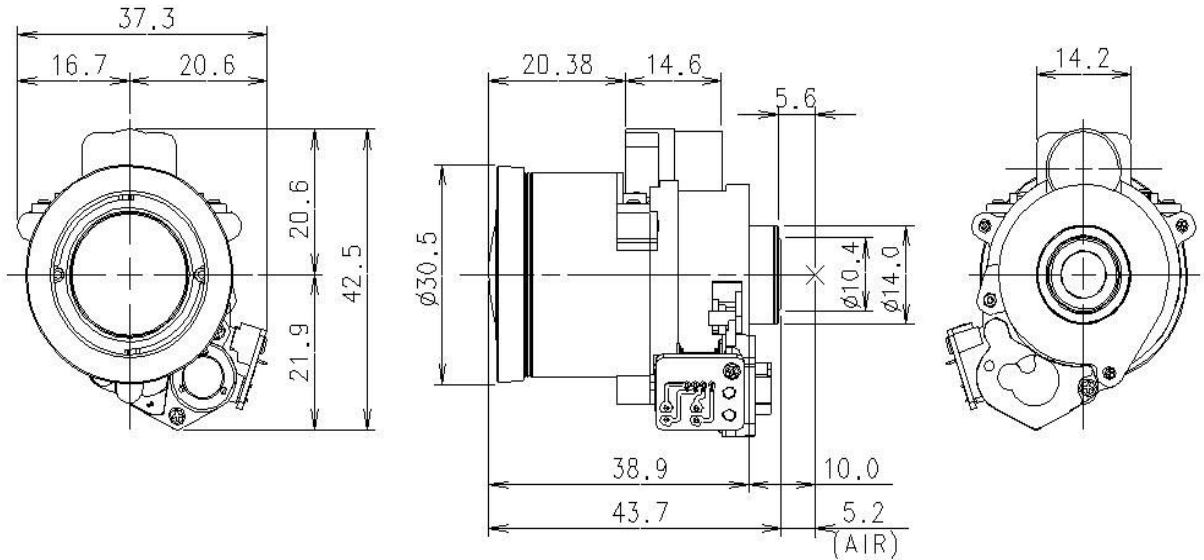
(ZOOM)

f = 2.8 ~ 10.0mm F1.2 ~ 360 ZOOM (INFRARED)

For 1/3" Format Camera

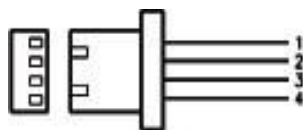
Model No.		SCVZ2810AS IR		Effective Lens Aperture	Front	Ø17.5mm	
Focal Length		2.8 ~ 10.0mm			Rear	Ø8.6mm	
Max. Aperture Ratio		1 : 1.2 ~ 360		Back Focal Length		5.7 ~ 13.7mm	
Max. Image Format (H X V)		4.8 X 3.6		Flange Back Length		10.0mm	
Operation	Iris	Auto(F1.2 ~ 360)		Mount		BAYONET(Ø14)	
	Focus	Manual		Dimensions (L X W X H)		43.7 X 37.3 X 42.5	
	Zoom	Motorized		Weight		33g	
Object Size at 50cm (H X V)	2.8mm	1/3" 120.9 X 74.6cm		1/4" 74.8 X 51.4cm			
	10.0mm	25.4 X 18.9cm		18.9 X 14.1cm			
Angle of View	D	1/3"	131.6°~35.6°	1/4"	93.9°~26.7°		
	H		100.8°~28.5°		73.6°~21.4°		
	V		73.5°~21.4°		54.4°~16.0°		
Iris Coil	Drive	190Ω		Operating Voltage	Open	3.5V	
	Control	850Ω			Close	0.5V	
Operating Temperature		-10°C ~ +50°C		CONNECT			

Dimension



Unit : mm

Wiring Diagram



1	RED	CONTROL (+)
2	BROWN	CONTROL (-)
3	YELLOW	DRIVE (+)
4	ORANGE	DRIVE (-)

