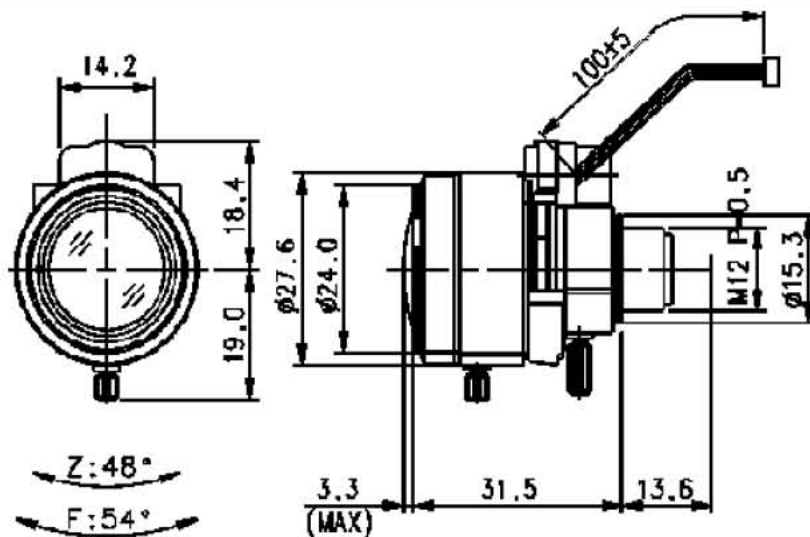


SCVD266S(M12)

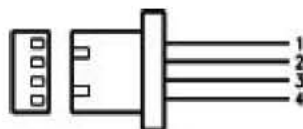
f = 2.6 ~ 6mm F1.4 ~ 360 VARI FOCAL
For 1/3" Format Board Camera

Model No.		SCVD266S		Effective Lens Aperturer	Front	Ø18.5mm
Focal Length		2.6 ~ 6mm			Rear	Ø7.5mm
Max. Aperture Ratio		1 : 1.4 ~ 360		Back Focal Length		6.0 ~ 10.3mm
Max. Image Format		6(D) x 4.8(H) x 3.6(V)		Flange Back Length		N/A
Operation	Iris	Auto(F1.4 ~ 360)		Mount		SCREW (M12)
	Focus	Manual		Dimensions		ø27.6mm×32.2mm×34.8mm
	Zoom	Manual		Weight		24g
Object Size at 50Cm	2.6mm	1/3"	118.8 X 77.1Cm	1/4"	77.1 X 53.8Cm	
	6mm		44.6 X 32.7Cm		32.7 X 24.2Cm	
Coating		Multi				
Angle of View	D	1/3"	123.2~59.9°	1/4"	93.8~45.1°	
	H		99.8~48.1°		75.3~36.2°	
	V		75.3~36.2°		56.6~27.2°	
Iris Coil	Drive	190Ω				
	Control	370Ω				
Operating Temperature		-10°C ~ +50°C				

Dimension



Wiring Diagram



1	BROWN	CONTROL (-)
2	RED	CONTROL (+)
3	YELLOW	DRIVE (+)
4	ORANGE	DRIVE (-)

