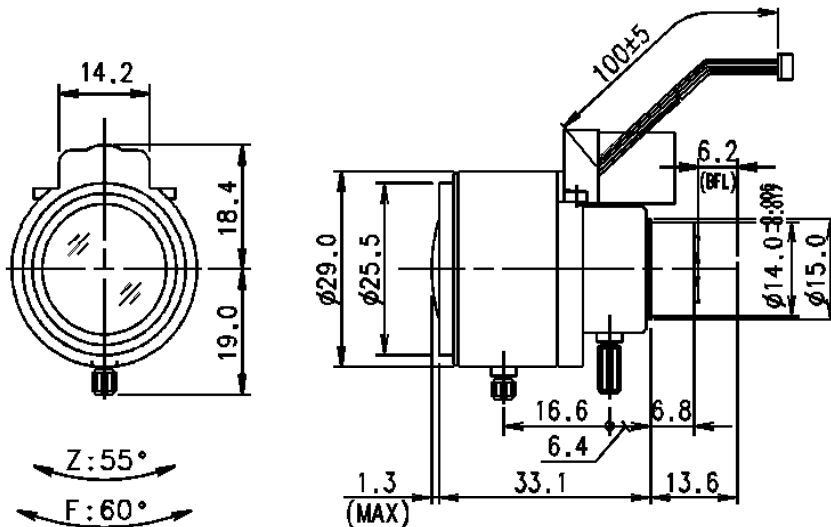


SCVD2810B IR

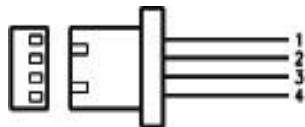
f = 2.8 ~ 10.0mm F1.4 ~ 360 VARI FOCAL (INFRA RED)
For 1/3" Format Board Camera

Model No.		SCVD2810B		Effective Lens Aperturer	Front	Ø19.4mm	
Focal Length		2.8 ~ 10.0mm			Rear	Ø6.4mm	
Max. Aperture Ratio		1 : 1.4 ~ 360		Back Focal Length		6.2 ~ 13.8mm	
Max. Image Format		6(D) x 4.8(H) x 3.6(V)		Flange Back Length		N/A	
Operation	Iris	Auto(F1.4 ~ 360)		Mount		BAYONET(Ø14)	
	Focus	Manual		Dimensions		ø28.5mm×35.1mm×34.9mm	
	Zoom	Manual		Weight		27g	
Object Size at 50Cm	2.8mm	1/3" 43.1 X 72.3 Cm		1/4" 72.2 X 50.2 Cm			
	10mm	25.6 X 19.0 Cm		19.0 X 14.2 Cm			
Coating		Single					
Angle of View	D	1/3"	123.3~35.8°		1/4"	90.6~26.9°	
	H		97.1~28.7°			71.7~21.6°	
	V		71.8~21.6°			53.3~16.2°	
Iris Coil	Drive	190Ω		Operating Voltage	Open	3.5V	
	Control	850Ω			Close	0.5V	
Operating Temperature		-10°C ~ +50°C					

Dimension



Wiring Diagram



1	BROWN	CONTROL (-)
2	RED	CONTROL (+)
3	YELLOW	DRIVE (+)
4	ORANGE	DRIVE (-)

