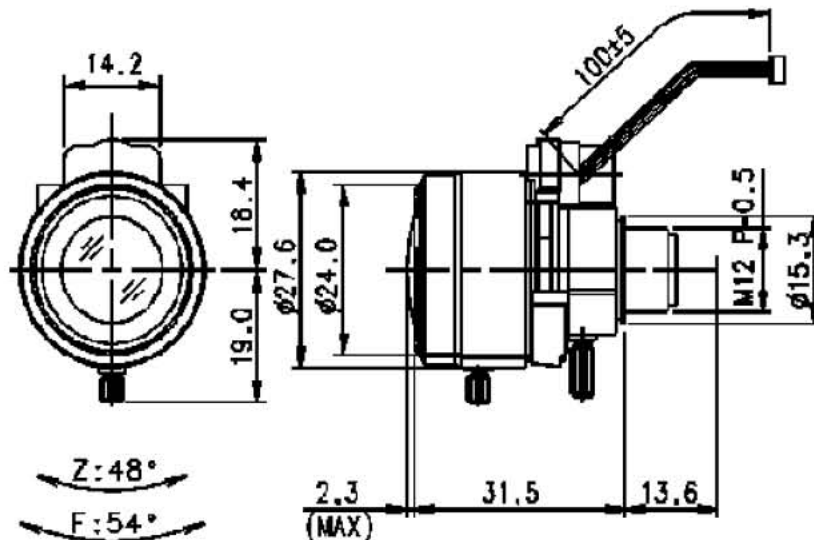


SCVD490S(M12)

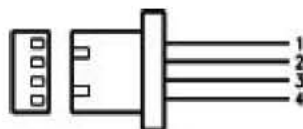
f = 4.0 ~ 9mm F1.5 ~ 360 VARI FOCAL
For 1/3" Format Board Camera

Model No.		SCVD490S		Effective Lens Aperturer	Front	Ø15.0mm	
Focal Length		4.0 ~ 9mm			Rear	Ø7.5mm	
Max. Aperture Ratio		1 : 1.5 ~ 360		Back Focal Length		6.6 ~ 10.8mm	
Max. Image Format		6(D) x 4.8(H) x 3.6(V)		Flange Back Length		N/A	
Operation	Iris	Auto(F1.5 ~ 360)		Mount		SCREW(M12)	
	Focus	Manual		Dimensions		ø27.6mm×32.2mm×33.5mm	
	Zoom	Manual		Weight		24g	
Object Size at 50Cm	4mm	1/3" 67.5 X 46.8Cm		1/4" 46.8 X 33.8Cm			
	9mm	28.8 X 21.3Cm		21.3 X 15.8Cm			
Coating		Single					
Angle of View	D	1/3"	86.2~40.2°	1/4"	63.5~30.1°		
	H		68.0~32.1°		50.2~24.1°		
	V		50.2~24.1°		37.3~18.0°		
Iris Coil	Drive	190Ω					
	Control	370Ω					
Operating Temperature		-10°C ~ +50°C					

Dimension



Wiring Diagram



1	BROWN	CONTROL (-)
2	RED	CONTROL (+)
3	YELLOW	DRIVE (+)
4	ORANGE	DRIVE (-)

