

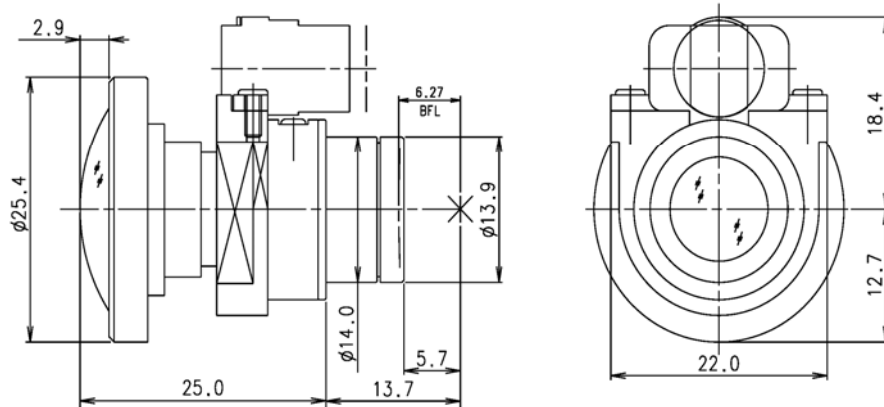
SCVD02B IR

f = 2.0mm F1.4 MONOFOCAL (INFRA RED)

For 1/3" Format Board Camera

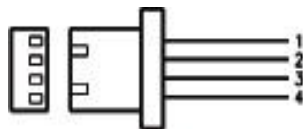
Model No.		SCVD02B IR		Effective Lens Aperture	Front	Ø20.2mm	
Focal Length		2.0mm			Rear	Ø10.5mm	
Max. Aperture Ratio		1 : 1.4 ~ 360		Back Focal Length		6.27mm	
Max. Image Format (H X V)		4.8 X 3.6		Flange Back Length		-	
Operation	Iris	Auto(F1.4)		Mount		BAYONET(Ø14)	
	Focus			Dimensions (L X W X H)		33 X 25.4 X 31.1	
	Zoom			Weight		g	
Object Size at 50cm (H X V)	2.0mm	1/3" 251.3 X 121.3cm		1/4" 121.3 X 77.4cm			
Angle of View	D	1/3"	173.8°	1/4"	127.7°		
	H		136.6°		101.0°		
	V		101.0°		75.5°		
Iris Coil	Drive	190Ω		Operating Voltage	Open	3.5V	
	Control	370Ω			Close	0.5V	
Operating Temperature		-10°C ~ +50°C					

Dimension



Unit : mm

Wiring Diagram



1	RED	CONTROL (+)
2	BROWN	CONTROL (-)
3	ORANGE	DRIVE (-)
4	YELLOW	DRIVE (+)

