

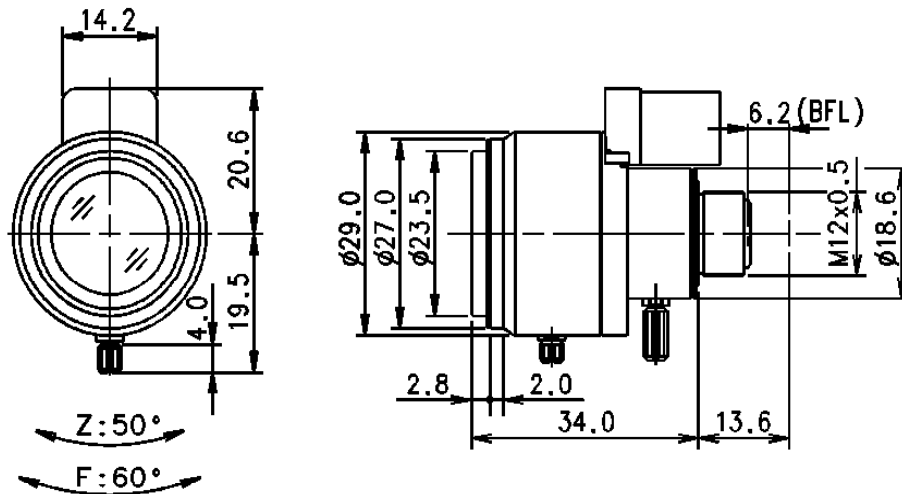
SCVD3690S IR

f = 3.6 ~ 9mm F1.4 ~ 360 VARIFOCAL (INFRA RED)

For 1/3" Format Board Camera

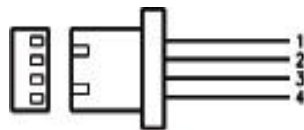
Model No.		SCVD3690S IR		Effective Lens Aperture	Front	Ø15.0mm	
Focal Length		3.6 ~ 9mm			Rear	Ø6.3mm	
Max. Aperture Ratio		1 : 1.4 ~ 360		Back Focal Length		6.2 ~ 11.7mm	
Max. Image Format (H X V)		4.8 X 3.6		Flange Back Length		-	
Operation	Iris	Auto(F1.4 ~ 360)		Mount		SCREW (M12)	
	Focus	Manual		Dimensions (L X W X H)		34.0 X 29.0 X 35.1	
	Zoom	Manual		Weight		26g	
Object Size at 50cm (H X V)	3.6mm	1/3" 79.8 X 54.0cm		1/4" 54.0 X 38.5cm			
	9mm	28.4 X 21.0cm		21.0 X 15.7cm			
Angle of View	D	1/3"	99.44°~39.60°	1/4"	71.95°~29.67°		
	H		77.18°~31.66°		56.73°~23.73°		
	V		56.73°~23.73°		42.11°~17.79°		
Iris Coil	Drive	190Ω		Operating Voltage	Open	3.5V	
	Control	850Ω			Close	0.5V	
Operating Temperature		-10°C ~ +50°C					

Dimension



Unit : mm

Wiring Diagram



1	RED	CONTROL (+)
2	BROWN	CONTROL (-)
3	ORANGE	DRIVE (-)
4	YELLOW	DRIVE (+)

