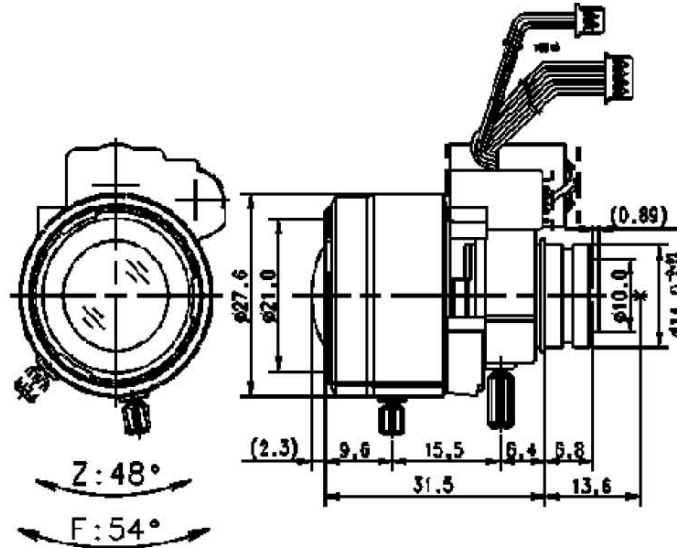


SCVD490B DN

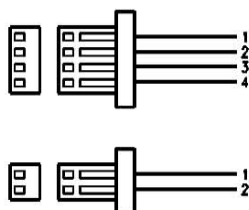
f = 4.0 ~ 9mm F1.5 ~ 360 VARI FOCAL
For 1/3" Format Board Camera

Model No.	SCVD490B DN		Effective Lens Aperturer	Front	Ø15.0mm
Focal Length	4.0 ~ 9mm			Rear	Ø7.5mm
Max. Aperture Ratio	1 : 1.5 ~ 360		Back Focal Length	6.6 ~ 10.8mm	
Max. Image Format	6(D) x 4.8(H) x 3.6(V)		Flange Back Length	N/A	
Operation	Iris	Auto(F1.5 ~ 360)	Mount	BAYONET(Ø14)	
	Focus	Manual	Dimensions	ø27.6mm×34.4mm×33.5mm	
	Zoom	Manual	Weight	25g	
Object Size at 50Cm	4mm	1/3" 67.5 X 46.8Cm	1/4" 46.8 X 33.8Cm		
	9mm	28.8 X 21.3Cm	21.3 X 15.8Cm		
Coating	Single				
Angle of View	D	1/3"	86.2~40.2°	1/4"	63.5~30.1°
	H		68.0~32.1°		50.2~24.1°
	V		50.2~24.1°		37.3~18.0°
Iris Coil	Drive	190Ω	IR FILTER	IN → OUT	+ 3.5V
	Control	465Ω		OUT → IN	- 3.5V
Operating Temperature	-10°C ~ +50°C				

Dimension



Wiring Diagram



1	BROWN	CONTROL (-)
2	RED	CONTROL (+)
3	YELLOW	DRIVE (+)
4	ORANGE	DRIVE (-)

1	RED	IR FILTER OUT (+)
		IR FILTER IN (-)
2	BLACK	GROUND

