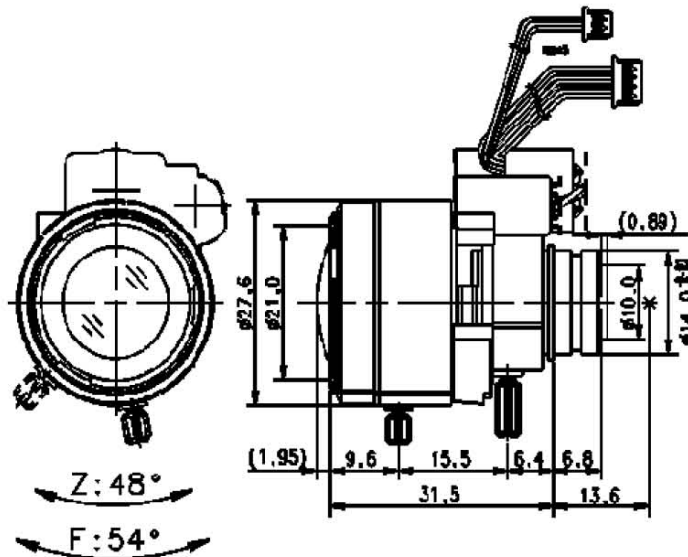


# SCVD922B DN

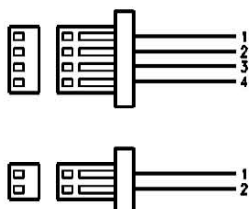
f = 4.0 ~ 9mm F1.5 ~ 360 VARI FOCAL  
For 1/3" Format Board Camera

Model No.	SCVD922B DN		Effective Lens Aperturer	Front	Ø15.0mm
Focal Length	9.0 ~ 22.0mm			Rear	Ø7.5mm
Max. Aperture Ratio	1 : 1.8 ~ 360		Back Focal Length	6.7 ~ 10.1mm	
Max. Image Format	6(D) x 4.8(H) x 3.6(V)		Flange Back Length	N/A	
Operation	Iris	Auto(F1.8 ~ 360)	Mount	BAYONET(Ø14)	
	Focus	Manual	Dimensions	ø27.6mm×34.4mm×33.4mm	
	Zoom	Manual	Weight	25g	
Object Size at 50Cm	9mm	1/3" 27.5 X 20.1 Cm	1/4" 20.1 X 14.9 Cm		
	20mm	12.4 X 9.3 Cm	9.3 X 6.9 Cm		
Coating	Single				
Angle of View	D	1/3"	39.0~17.6°	1/4"	28.7~13.2°
	H		30.7~14.1°		22.7~10.6°
	V		22.7~10.6°		16.9~7.9°
Iris Coil	Drive	190Ω	IR FILTER	IN → OUT	+ 3.5V
	Control	465Ω		OUT → IN	- 3.5V
Operating Temperature	-10°C ~ +50°C				

## Dimension



## Wiring Diagram



1	BROWN	CONTROL (-)
2	RED	CONTROL (+)
3	YELLOW	DRIVE (+)
4	ORANGE	DRIVE (-)

1	RED	IR FILTER OUT (+)
		IR FILTER IN (-)
2	BLACK	GROUND

