

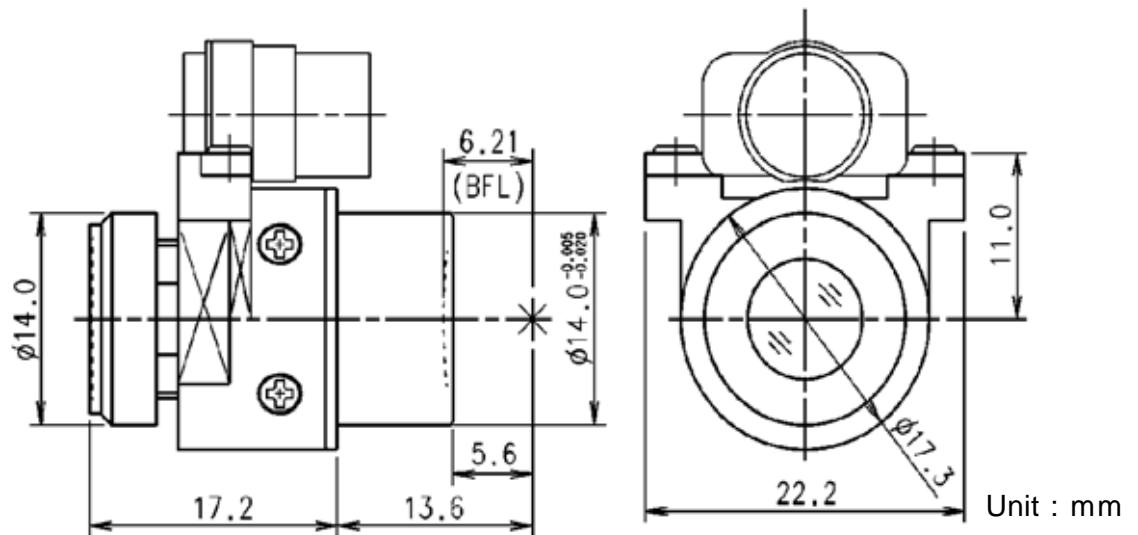
SCVD038B IR

f = 3.8mm F1.4 ~ 360 MONOFOCAL (INFRA RED)

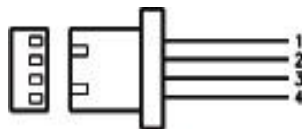
For 1/3" Format Board Camera

Model No.		SCVD038B IR		Effective Lens Aperture	Front	Ø10.7mm	
Focal Length		3.8mm			Rear	Ø8.0mm	
Max. Aperture Ratio		1 : 1.4 ~ 360		Back Focal Length		6.21mm	
Max. Image Format (H X V)		4.8 X 3.6		Flange Back Length		-	
Operation	Iris	Auto(F1.4 ~ 360)		Mount		BAYONET(Ø14)	
	Focus			Dimensions (L X W X H)		25.2 X 22.2 X 27	
	Zoom			Weight		16g	
Object Size at 50cm (H X V)	3.8mm	1/3" 76.2 X 51.1cm		1/4" 51.1 X 36.3cm			
Angle of View	D	1/3"	100.2°	1/4"	69.5°		
	H		74.6°		54.2°		
	V		54.2°		40.3°		
Iris Coil	Drive	190		Operating Voltage	Open	3.5V	
	Control	370			Close	0.5V	
Operating Temperature		-10 ~ +50					

Dimension



Wiring Diagram



1	RED	CONTROL (+)
2	BROWN	CONTROL (-)
3	ORANGE	DRIVE (-)
4	YELLOW	DRIVE (+)

