

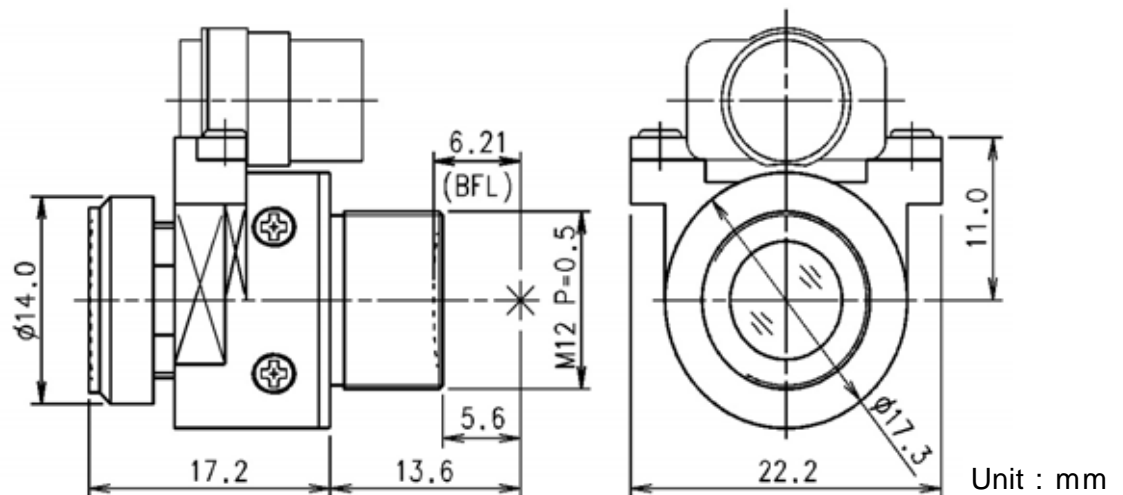
SCVD038S IR

f = 3.8mm F1.4 ~ 360 MONOFOCAL (INFRARED)

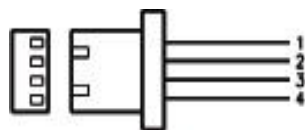
For 1/3" Format Board Camera

| | | | | | | | |
|-----------------------------|---------|--------------------|--------|-------------------------|-------|------------------|--|
| Model No. | | SCVD038S IR | | Effective Lens Aperture | Front | Ø10.7mm | |
| Focal Length | | 3.8mm | | | Rear | Ø8.0mm | |
| Max. Aperture Ratio | | 1 : 1.4 ~ 360 | | Back Focal Length | | 6.21mm | |
| Max. Image Format (H X V) | | 4.8 X 3.6 | | Flange Back Length | | - | |
| Operation | Iris | Auto(F1.4 ~ 360) | | Mount | | SCREW(M12 P=0.5) | |
| | Focus | | | Dimensions (L X W X H) | | 25.2 X 22.2 X 27 | |
| | Zoom | | | Weight | | 15g | |
| Object Size at 50cm (H X V) | 3.8mm | 1/3" 76.2 X 51.1cm | | 1/4" 51.1 X 36.3cm | | | |
| | | | | | | | |
| Angle of View | D | 1/3" | 100.2° | 1/4" | 69.5° | | |
| | H | | 74.6° | | 54.2° | | |
| | V | | 54.2° | | 40.3° | | |
| Iris Coil | Drive | 190 | | Operating Voltage | Open | 3.5V | |
| | Control | 370 | | | Close | 0.5V | |
| Operating Temperature | | -10 ~ +50 | | | | | |

Dimension



Wiring Diagram



| | | |
|---|--------|-------------|
| 1 | RED | CONTROL (+) |
| 2 | BROWN | CONTROL (-) |
| 3 | ORANGE | DRIVE (-) |
| 4 | YELLOW | DRIVE (+) |

