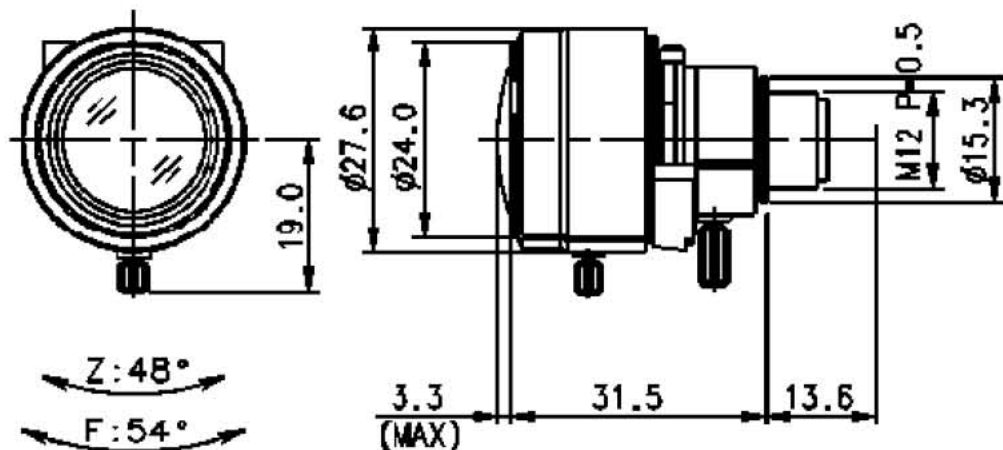


SCVD266S FIXED

f = 2.6 ~ 6mm F1.4 ~ 360 VARI FOCAL
For 1/3" Format Board Camera

Model No.		SCVD266SF		Effective Lens Aperturer	Front	Ø18.5mm	
Focal Length		2.6 ~ 6mm			Rear	Ø7.5mm	
Max. Aperture Ratio		1 : 1.6		Back Focal Length		6.0 ~ 10.3mm	
Max. Image Format		6(D) x 4.8(H) x 3.6(V)		Flange Back Length		N/A	
Operation	Iris	Fixed(F1.6)		Mount		SCREW (M12)	
	Focus	Manual		Dimensions		ø27.6mm×27.6mm×34.8mm	
	Zoom	Manual		Weight		22g	
Object Size at 50Cm	2.6mm	1/3"	118.8 X 77.1Cm	1/4"	77.1 X 53.8Cm		
	6mm		44.6 X 32.7Cm		32.7 X 24.2Cm		
Coating		Multi					
Angle of View	D	1/3"	123.2~59.9°	1/4"	93.8~45.1°		
	H		99.8~48.1°		75.3~36.2°		
	V		75.3~36.2°		56.6~27.2°		
Iris Coil	Drive	-					
	Control	-					
Operating Temperature		-10°C ~ +50°C					

Dimension



Wiring Diagram

