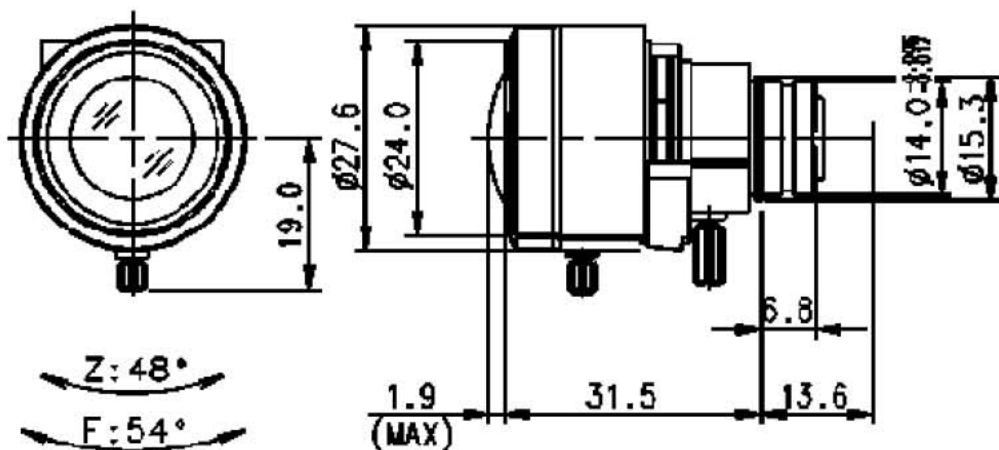


SCVD922B FIXED

f = 9.0 ~ 20.0mm F1.8 ~ 360 VARI FOCAL
For 1/3" Format Board Camera

Model No.		SCVD922BF		Effective Lens Aperturer	Front	Ø15.0mm	
Focal Length		9.0 ~ 22.0mm			Rear	Ø7.5mm	
Max. Aperture Ratio		1 : 1.8 ~ 360		Back Focal Length		6.7 ~ 10.1mm	
Max. Image Format		6(D) x 4.8(H) x 3.6(V)		Flange Back Length		N/A	
Operation	Iris	Fixed (F1.8)		Mount		BAYONET(Ø14)	
	Focus	Manual		Dimensions		ø27.6mm×27.6mm×33.4mm	
	Zoom	Manual		Weight		22g	
Object Size at 50Cm	9mm	1/3" 27.5 X 20.1 Cm		1/4" 20.1 X 14.9 Cm			
	20mm	12.4 X 9.3 Cm		9.3 X 6.9 Cm			
Coating		Single					
Angle of View	D	1/3"	39.0~17.6°	1/4"	28.7~13.2°		
	H		30.7~14.1°		22.7~10.6°		
	V		22.7~10.6°		16.9~7.9°		
Iris Coil	Drive						
	Control						
Operating Temperature		-10°C ~ +50°C					

Dimension



Wiring Diagram

