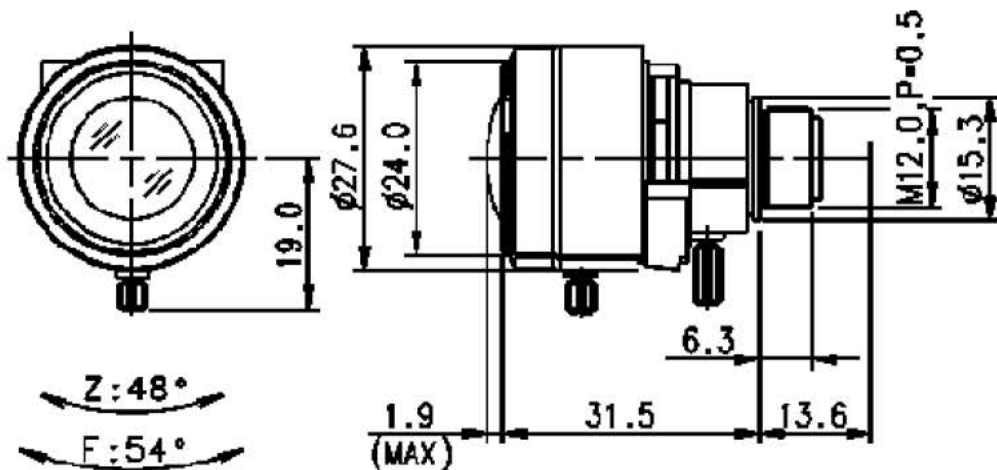


SCVD922S FIXED

f = 9.0 ~ 20.0mm F1.8 ~ 360 VARI FOCAL
For 1/3" Format Board Camera

Model No.		SCVD922SF		Effective Lens Aperturer	Front	Ø15.0mm
Focal Length		9.0 ~ 22.0mm			Rear	Ø7.5mm
Max. Aperture Ratio		1 : 1.8 ~ 360		Back Focal Length		6.7 ~ 10.1mm
Max. Image Format		6(D) x 4.8(H) x 3.6(V)		Flange Back Length		N/A
Operation	Iris	Fixed (F1.8)		Mount		SCREW(M12)
	Focus	Manual		Dimensions		Ø27.6mm x 27.6mm x 33.4mm
	Zoom	Manual		Weight		22g
Object Size at 50Cm	9mm	1/3" 27.5 X 20.1 Cm		1/4" 20.1 X 14.9 Cm		
	20mm	12.4 X 9.3 Cm		9.3 X 6.9 Cm		
Coating		Single				
Angle of View	D	1/3"	39.0~17.6°	1/4"	28.7~13.2°	
	H		30.7~14.1°		22.7~10.6°	
	V		22.7~10.6°		16.9~7.9°	
Iris Coil	Drive					
	Control					
Operating Temperature		-10°C ~ +50°C				

Dimension



Wiring Diagram

