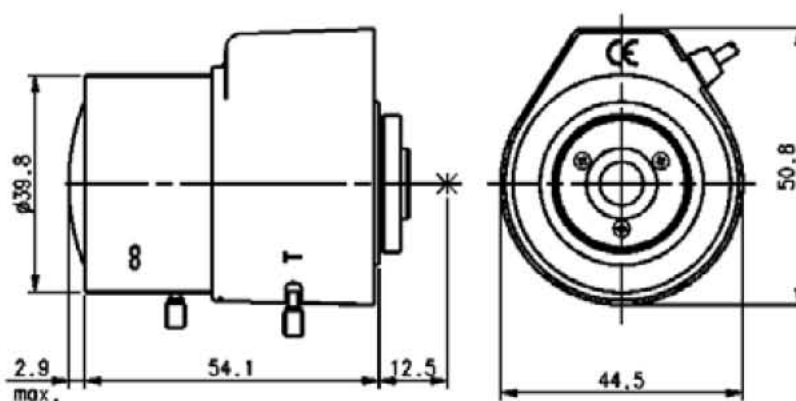


# SCV 2982D

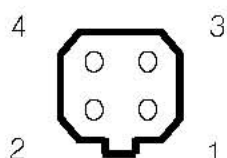
f = 2.9 ~ 8.2mm F1.2 ~ 360 VARI FOCAL  
For 1/3" Format Camera

Model No.		SCV2982D		Effective Lens Aperturer	Front	Ø29.8mm
Focal Length		2.9 ~ 8.2mm			Rear	Ø8.5mm
Max. Aperture Ratio		1 : 1.2 ~ 360		Back Focal Length		7.3 ~ 13.9mm
Max. Image Format		6(D) x 4.8(H) x 3.6(V)		Flange Back Length		12.5mm
Operation	Iris	Auto(F1.2~360)		Mount		CS (1"-32 UNF)
	Focus	Manual		Dimensions		54.1(L)X44.5(W)X50.8(H)
	Zoom	Manual		Weight		80g
Object Size at 50Cm (HXV)	2.9mm	1/3"	82.1 X 56.7Cm	1/4"	61.6 X 44.0Cm	
	8.2mm		32.1 X 23.7Cm		23.9X 17.8Cm	
Coating		Multi & Single				
Angle of View	D	98.6°~44.6°		79.2°~33.7°		
	H	1/3"	78.8°~35.6°	1/4"	63.3°~26.9°	
	V		59.1°~26.7°		47.5°~20.2°	
Iris Coil	Drive	190Ω				
	Control	850Ω				
Operating Temperature		-20°C ~ +50°C				

## Dimension



## Wiring Diagram



1	RED	CONTROL (-)
2	BLACK	CONTROL (+)
3	WHITE	DRIVE (+)
4	GREEN	DRIVE (-)

