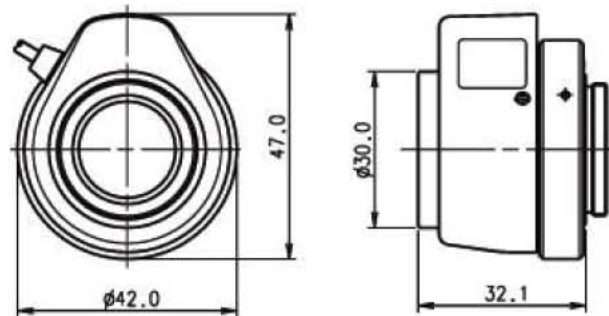


SCV 4D

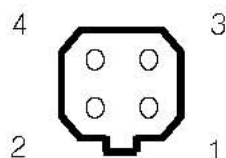
f = 4mm F1.2 ~ 360 MONOFOCAL
For 1/3" Format Camera

Model No.		SCV4D		Effective Lens Aperturer	Front	Ø18.5mm
Focal Length		4mm			Rear	Ø10.6mm
Max. Aperture Ratio		1 : 1.2 ~ 360		Back Focal Length		8.45mm
Max. Image Format		6(D) x 4.8(H) x 3.6(V)		Flange Back Length		12.5mm
Operation	Iris	Auto(F1.2 ~ 360)		Mount		CS (1"-32 UNF)
	Focus	Manual		Dimensions		32.1(L)X42(W)X47(H)
	Zoom	N/A		Weight		55g
Object Size at 50Cm (HXV)	4mm	1/3" 63.3 X 45.8Cm		1/4" 45.8 X 33.6Cm		
Coating		Multi & Single				
Angle of View	D	78.7°		60.9°		
	H	1/3" 64.7°		1/4" 49.2°		
	V	49.2°		37.1°		
Iris Coil	Drive	190Ω				
	Control	700Ω				
Operating Temperature		-20°C ~ +50°C				

Dimension



Wiring Diagram



1	RED	CONTROL (-)
2	BLACK	CONTROL (+)
3	WHITE	DRIVE (+)
4	GREEN	DRIVE (-)

