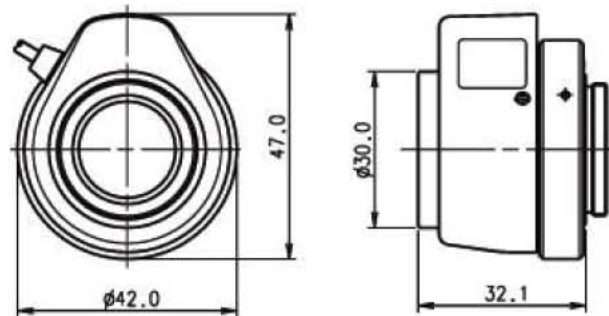


SCV 8D

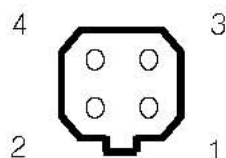
f = 8mm F1.2 ~ 360 MONOFOCAL
For 1/3" Format Camera

Model No.		SCV8D		Effective Lens Aperturer	Front	Ø10.5mm
Focal Length		8mm			Rear	Ø8.6mm
Max. Aperture Ratio		1 : 1.2 ~ 360		Back Focal Length		8.55mm
Max. Image Format		6(D) x 4.8(H) x 3.6(V)		Flange Back Length		12.5mm
Operation	Iris	Auto(F1.2 ~ 360)		Mount		CS (1"-32 UNF)
	Focus	Manual		Dimensions		32.1(L)X42(W)X47(H)
	Zoom	N/A		Weight		50g
Object Size at 50Cm (HXV)	8mm	1/3" 32.2 X 23.6Cm		1/4" 23.6 X 17.5Cm		
Coating		Single				
Angle of View	D	45°		33.4°		
	H	1/3" 35.7°		1/4" 26.6°		
	V	26.6°		19.9°		
Iris Coil	Drive	190Ω				
	Control	700Ω				
Operating Temperature		-20℃ ~ +50℃				

Dimension



Wiring Diagram



1	RED	CONTROL (-)
2	BLACK	CONTROL (+)
3	WHITE	DRIVE (+)
4	GREEN	DRIVE (-)

