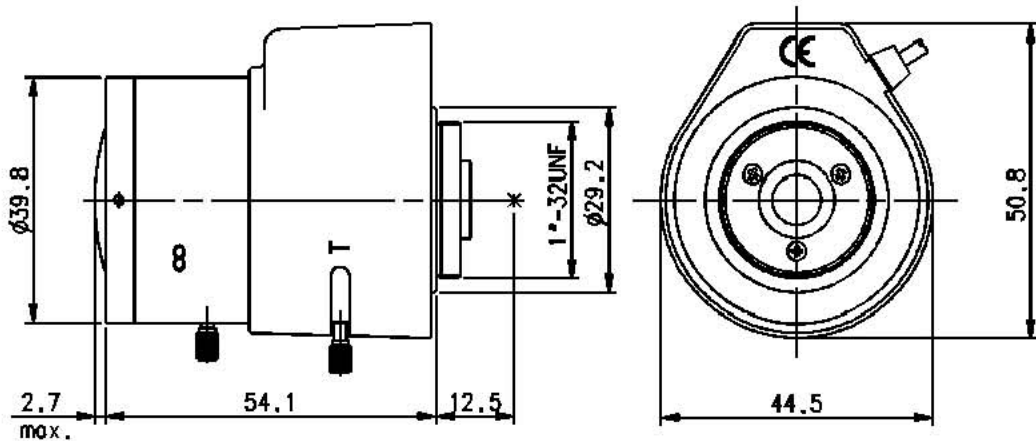


SCV 308DN

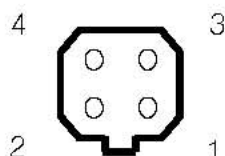
f = 3.0 ~ 8.0mm F1.2 ~ 360 VARI FOCAL **DAY & NIGHT**
For 1/3" Format Camera

Model No.		SCV308DN		Effective Lens Aperturer	Front	Ø27.8mm
Focal Length		3.0 ~ 8.0mm			Rear	Ø8.5mm
Max. Aperture Ratio		1 : 1.2 ~ 360		Back Focal Length		7.3 ~ 13.9mm
Max. Image Format		6(D) x 4.8(H) x 3.6(V)		Flange Back Length		12.5mm
Operation	Iris	Auto(F1.2-360)		Mount		CS (1"-32 UNF)
	Focus	Manual		Dimensions		56.8(L)X44.5(W)X50.8(H)
	Zoom	Manual		Weight		85g
Object Size at 50Cm	3.0mm	1/3"	87.5 X 62.4Cm	1/4"	62.4 X 45.3Cm	
	8.0mm		31.9 X 23.6Cm		23.6 X 17.6Cm	
Coating		Multi & Single				
Angle of View	D	97.5°~43.9°		78°~33.2°		
	H	1/3"	82.4°~35.4°	1/4"	63.9°~26.6°	
	V		63.9°~26.6°		48.7°~20°	
Iris Coil	Drive	190Ω				
	Control	850Ω				
Operating Temperature		-20℃ ~ +50℃				

Dimension



Wiring Diagram



1	RED	CONTROL (-)
2	BLACK	CONTROL (+)
3	WHITE	DRIVE (+)
4	GREEN	DRIVE (-)

